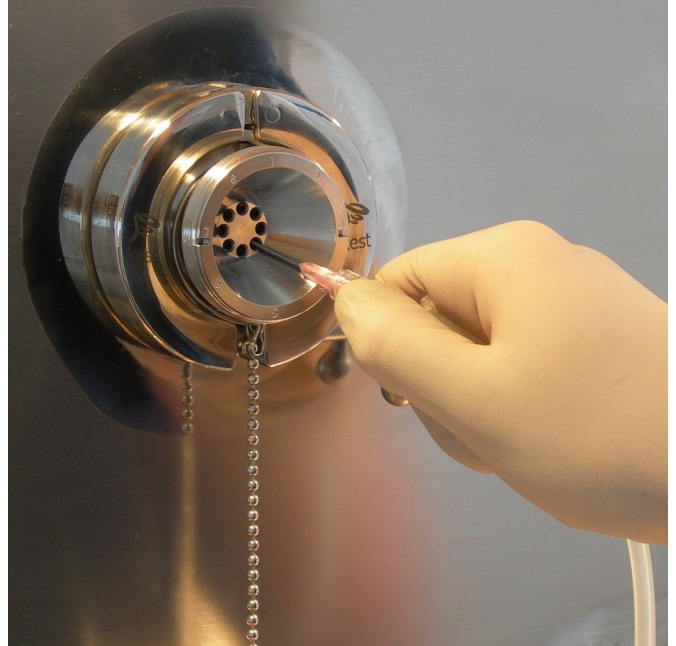
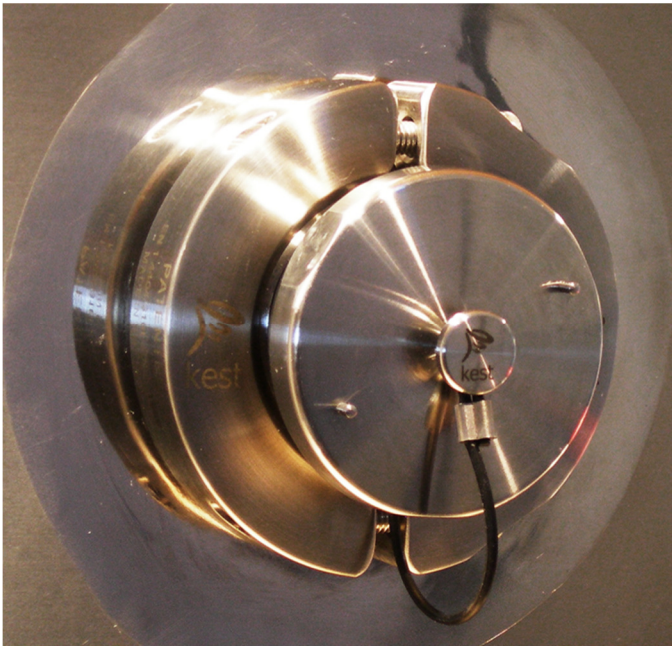


DATASHEET



Kest-Sampling Unit, for tanks and pipes with TC ferrule connection

The Kest-Sample is a sampling device which enables sampling at controlled conditions. The sampling unit consists of a holder with ports for 8 samples.

The design of the sampling unit secures self-sealing of the sampling membrane after each penetration, and the complete unit is designed for CIP/SIP applications.

The sampling membrane is to be penetrated by a hypodermic needle, which is to be connected with a hose to a sampling bag or bottle, for collection of the sampled liquid.

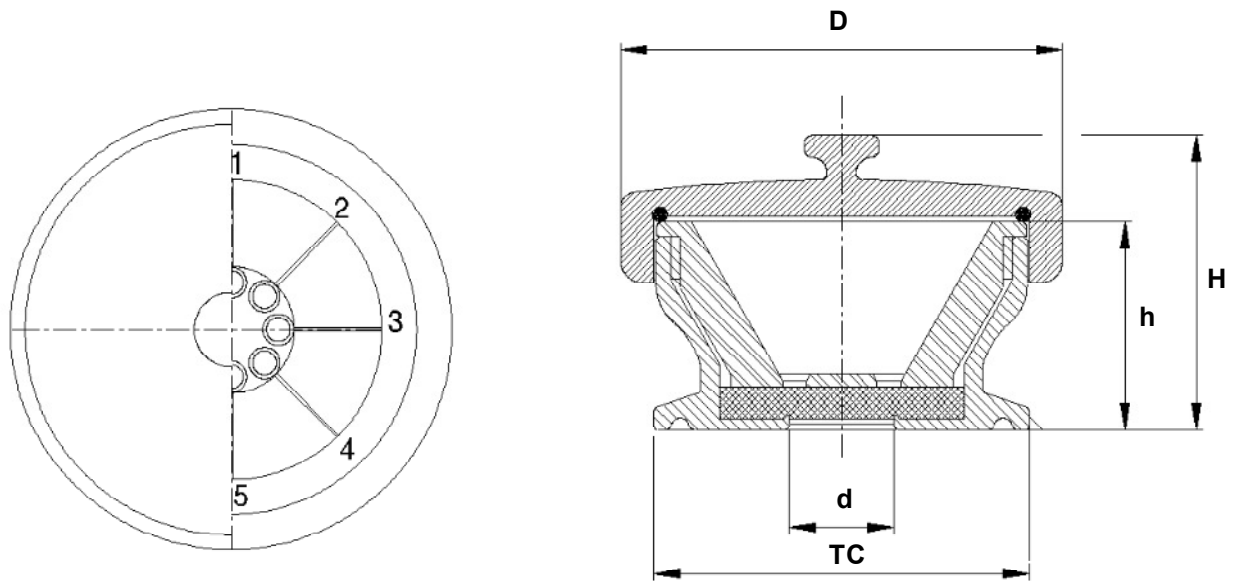
Each penetration position is only to be penetrated once, when all 8 ports has been penetrated, the membrane in the sample unit is replaced by a quick and simple operation.

The Kest-Sample system is designed to be fitted to a standard TC-ferrule, ISO 2852.

The Kest-Sample unit is designed for use in ATEX Zone I 2G

Kest-Sample Unit

Kest-Sample Unit, general information Page 2



Article Number	Number of ports	TC [mm]	D [mm]	d [mm]	H [mm]	h [mm]
KSU-TC50/8P	8	50,5	60	14	40	30

Spare parts

Detail	Article Number
Penetration Membrane	KSUM-TC50/8P
O-ring for lid	OR-47x2 EPDM

Specifications

Material Grade	EN 1.4404	ASTM 316L or ASME 316L
Material requirement	EN 10 272/10028-7	A479/A240 or SA479/SA240
Documentation	Heat Certificate 3.1 acc. to EN 10 204	
Surface finish	Ra≤0.5 µm surface in product contact	
Design Temperature	[-80°C to 200°C] [112°F to 392°F]	
Design Pressure	[-1 bar(g) to + 7 bar(g)] [-14.5 psi to 101.5 psi]	
Marking	The Kest-Sample ring is marked with brand, material grade and heat number	
Packing	Each product is sealed in vacuum plastic bag, labelled with art. number and packed in a box	
Gaskets	The Kest-Sample is designed for use of standard gaskets acc. to ISO 2852	
Membrane	Transparent Silicone, platinum cured. Approved acc. FDA regulations CFR 177.2600, USP Class VI	
Standard	The Kest-Sample is designed for clamp couplings acc ISO 2852	
Quality Assurance	Each product is controlled and tested acc. to Kest Technology quality assurance system	